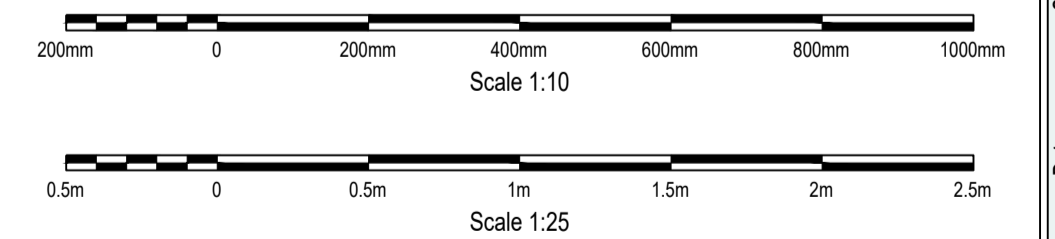
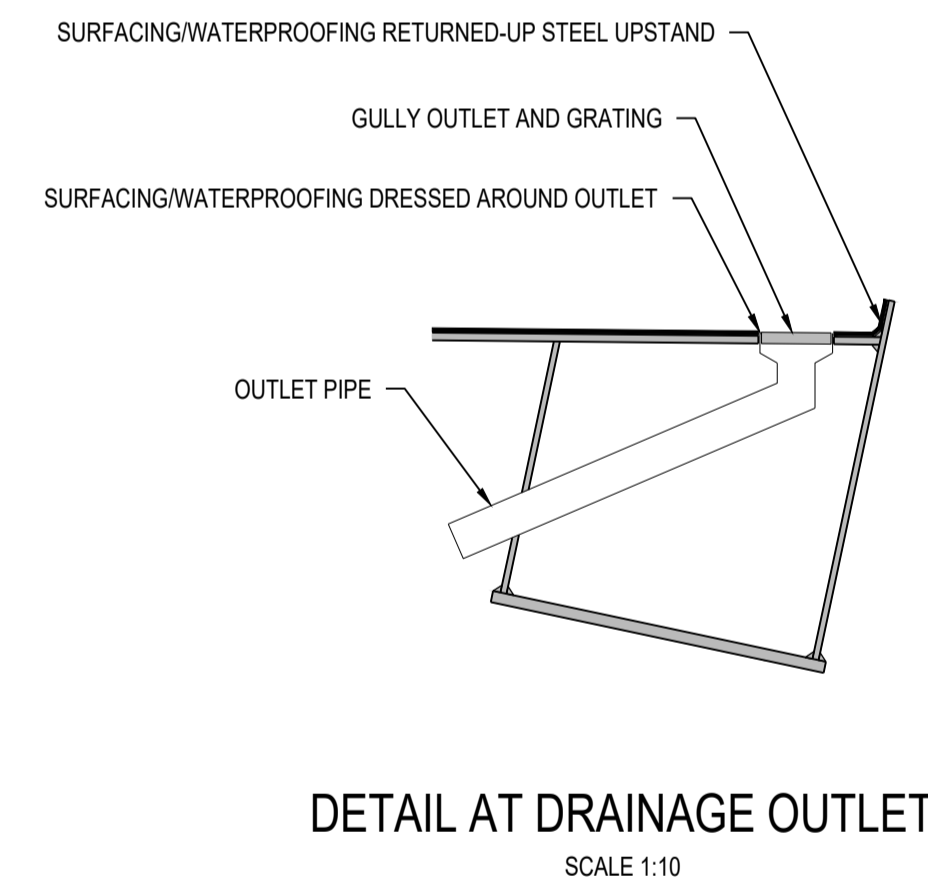
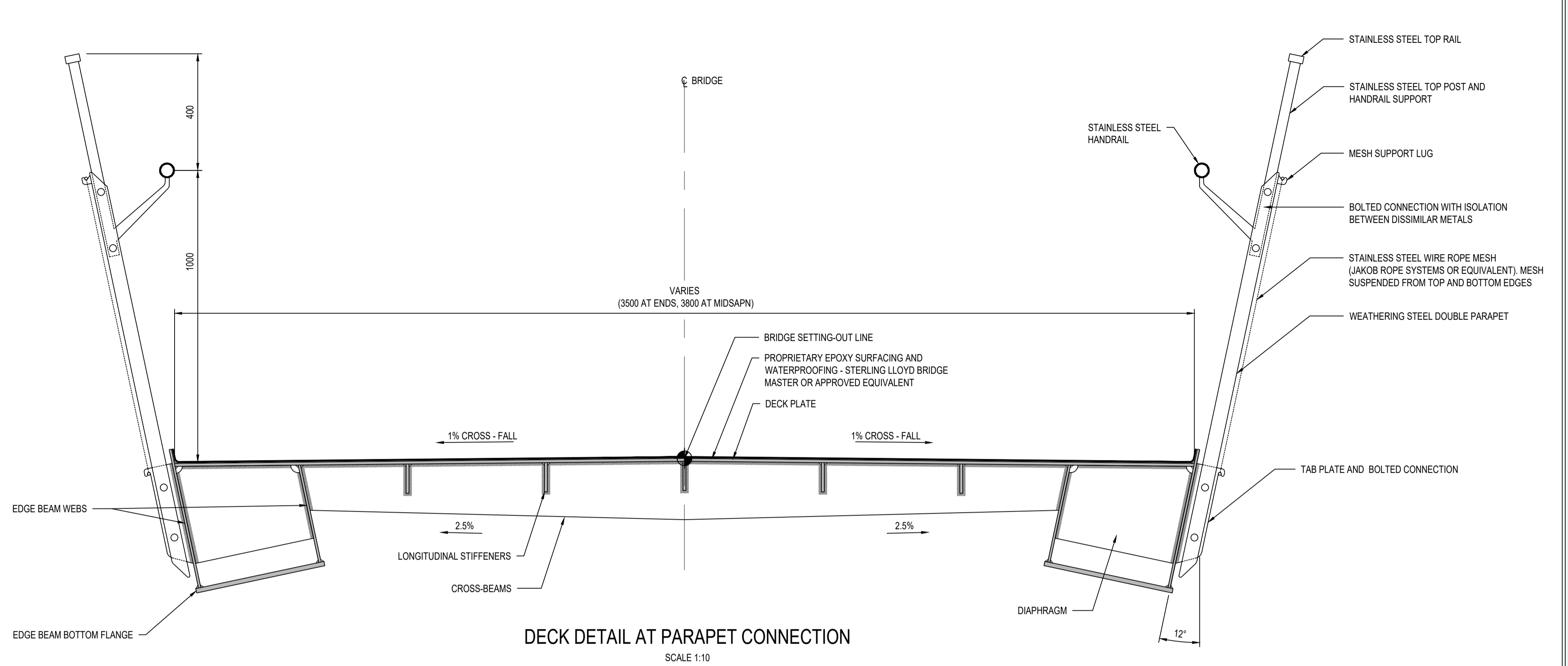
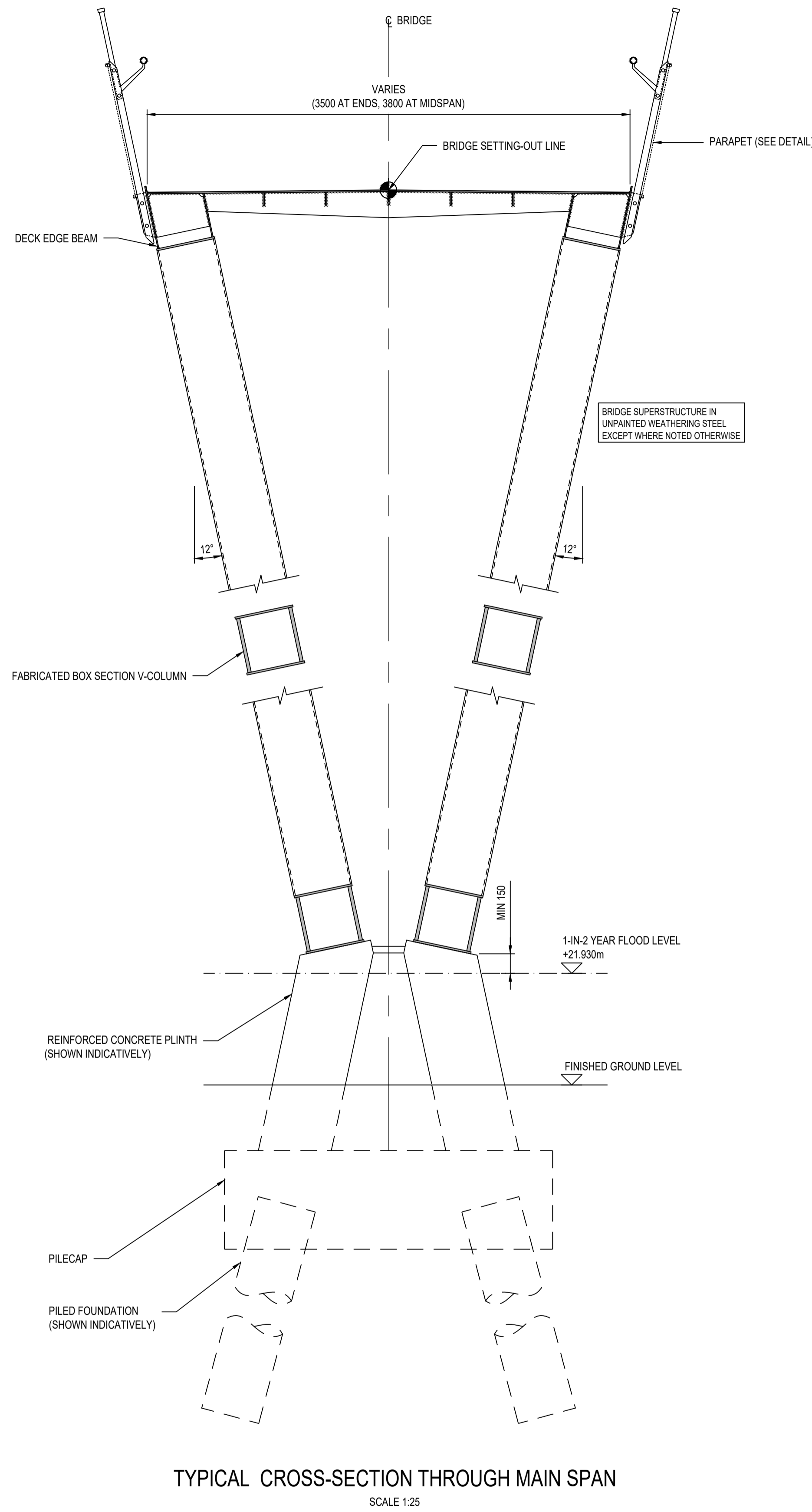


10cm - Caution as distortion can occur.



NOTES
1. FOR GENERAL NOTES REFER TO DRAWING HFB-COW-HFB-ALL-DR-CB-1005.

REFERENCES
HFB-COW-HFB-ALL-DR-CH-1010 GENERAL ARRANGEMENT SITE PLAN
HFB-COW-HFB-ALL-DR-CH-1015 GENERAL ARRANGEMENT DEVELOPED ELEVATION
HFB-COW-HFB-ALL-DR-CH-1021 GENERAL ARRANGEMENT RAMP CROSS SECTION

LEGEND
SETTING OUT POINT (SOP)



Project: HAMPTON FOOTBRIDGE
Drawing Title: GENERAL ARRANGEMENT CROSS SECTIONS - MAIN SPAN

Project No.: A232226
Scale: AS SHOWN
Original Paper Size: A1
Drawing Number: HFB -COW- HFB - ALL - DR - CB - 1020
Status: S3 - SUITABLE FOR REVIEW AND COMMENT
Revision: P01 - FIRST ISSUE
Use figured measurements only! DO NOT SCALE FROM DRAWING. Verify all dimensions prior to construction. Immediately report any discrepancies to Engineer and if in doubt ASK. This drawing should be read in conjunction with all other associated project information

REV.	DESCRIPTION	DATE	DRW.	CHK.
P01	FIRST ISSUE	04/08/23	JA	BC

ALL CIVIL DIMENSIONS ARE IN METRES - ALL STRUCTURAL DIMENSIONS ARE IN MILLIMETRES - ALL LEVELS ARE IN METRES. Date: 04/08/23 Approved By: PASS Checked By: BNCY Drawn By: JMKY Date: 04/08/23